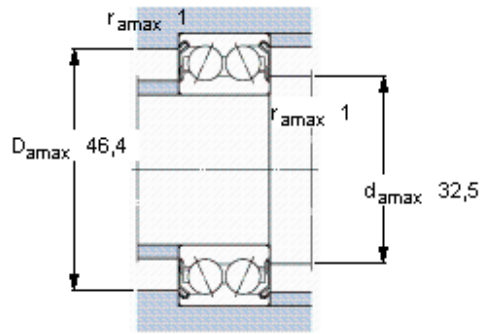
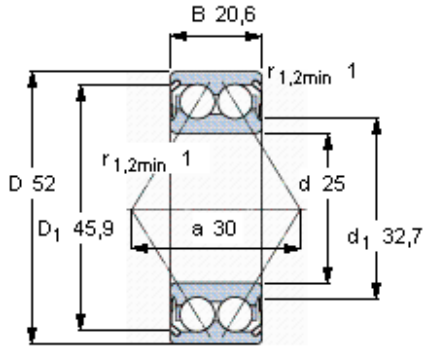


Angular contact ball bearings, double row

Principal dimensions			Basic load ratings		Speed ratings		Designation
d	D	B	dynamic C	static C0	Reference speed	Limiting speed	
mm			kN		r/min		* SKF Explorer bearing
25	52	20,6	21,6	14,3	12000	12000	3205 A-2ZTN9/MT33 *



Calculation factors

k_r 0,06
 e 0,8
 X 0,63
 Y_1 0,78
 Y_2 1,24
 Y_0 0,66